



FEATURES

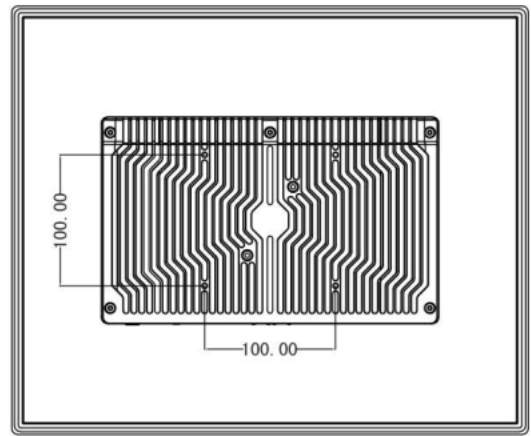
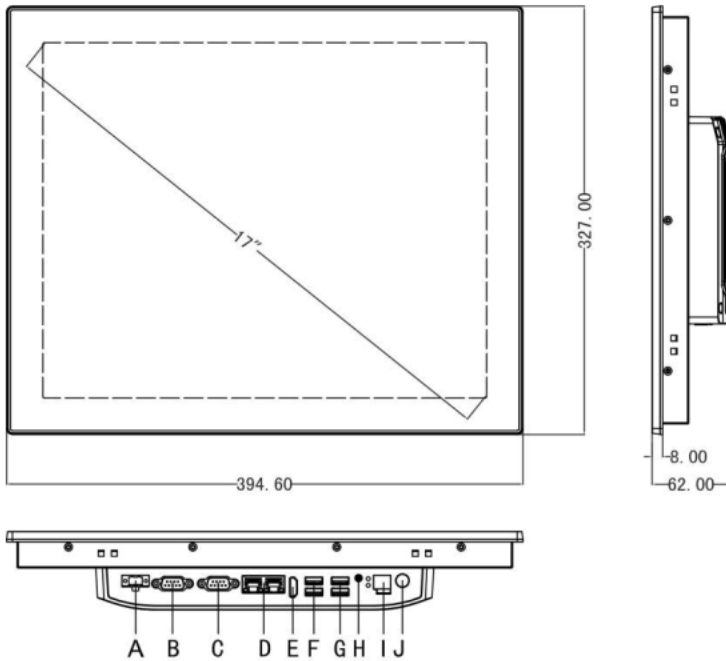
- 17" TFT LED with Capacitive / Resistive Touch
- CPU: Intel Core 8th Gen i3 8145U / i5 8265U / i7 8565U (Optional)
- 1x DDR4L 2400MHz 4GB, Up to 64GB
- 2xLAN, 2xRS232/422/485, 8KV Static Electricity & 600W TVS Surge Protection
- Built in TPM2.0 for Hardware-based Security
- Wide voltage DC 9V~36V, Overcurrent, Overvoltage & Reverse Connection Protection
- 20°C ~ 70°C extended operating temperature
- IP66 Compliant Front Panel

SPECIFICATIONS

System		Touch screen	
CPU	Intel Core i3-8145U / i5-8365U / i7-8565U	Touch Screen Type	Capacitive / Resistive Touch
L2 Cache	4MB / 6MB / 8MB	Transmittance	>90%
Memory	DDR4L 2400MHz 4GB, Up to 64GB	Response Time	<5ms
Harddisk	1 x M.2 120G SSD / (250G / 500G / 1TB SSD) Optional	Surface Hardness	≥7H
Graphics	Intel HD Graphics 620	Supply Voltage	5.0V DC
Network	Intel® I211-AT GbE LAN	Touch Life	≥ 3000W
Audio	Realtek ACL662 Audio controller	Instituional	
TPM	TPM 2.0	Material	High-strength Al-alloy, support IP66
Operation System	Windows 10 / 11 / Linux, Ubuntu, Debian	Color	Gray
I / O		VESA Mounting	VESA: 100 x 100 mm
HDMI	1 x H-DMI	Waterproof Rate	IP65 / IP66
LAN	2 x LAN	Product Dimension	395 x 327 x 62 mm
USB	3 x USB 3.0 / 1 x USB 2.0	Cut-out Size	381 x 313 mm
COM	2 x RS-232 / 422 / 485	Packing Size	500 x 180 x 450 mm
Audio	1x Audio_out & Mic_in	Gross Weight	8 KG
Wireless Network	WiFi / Bluetooth (4G / 5G Optional)	Power and Environment	
Other I/O Interface	1 x Power Switch	Operating Temperature	-20~70°C
LCD Panel		Storage Temperature	-20~80°C(-22~176°F)
Panel Size	17" LED	Relative Humidity	5%~95%@40°C, non-condensing
Resolution	1280 x 1024	Vibration Range	5-500 Hz, 0.026 G2/Hz, 2.16 Grms, X, Y, Z, 1 hour per axis
Aspect Ratio	5:4		
Display Brightness	400 cd/m2	External Power Supply	AC 100 - 240V~50/60Hz, 1.5A
Contrast Ratio	1000:1	Working Voltage	DC IN 9V~36V
Viewing Angle	88 / 88 / 88 / 88 (CR≥10) (L / R / U / D)	Power Consumption	≤45W



Dimension & I/O



I / O Definition:

- A. DC 9V~36V
- B. COM1:RS-232 / 422 / 485
- C. COM2:RS-232 / 422 / 485
- D. 2 x LAN
- E. H-DMI
- F. 1 x USB 3.0 / 1 x USB 2.0
- G. 2 x USB 3.0
- H. Audio
- I. Extension Switch
- J. Power Button

Panel Cutout Dimensions: 381 x 313 mm (15 x 12.32 in)

ORDERING INFORMATION

PACKING LIST

- 1x AS17 I5 LC1
- 1x Utility DVD Driver
- 8x Embedded Buckles
- 1x Power Adaptor

AVAILABLE MODELS

Display Size	Resolution	Format	Brightness(cd/m ²)	Viewing Angle	LCD Color	Backlight MTBF
10.1"	1280 x 800	16:10	400 cd/m ²	85/85/85/85	262K/16.2M	30000 Hr (min.)
10.4"	800x600/1024x768	4:3	350 cd/m ²	80/80/65/75	262K/16.2M	30000 Hr (min.)
12.1"	800x600/1024x768	4:3	400 cd/m ²	80/80/65/75	262K/16.7M	30000 Hr (min.)
12.1"	1280x800	16:10	600 cd/m ²	88/88/88/88	262K/16.7M	50000 Hr (min.)
13.3"	1920x1080	16:9	400cd/m ²	85/85/85/85	262K/16.7M	50000 Hr (min.)
15"	1024x768	4:3	350cd/m ²	89/89/89/89	262K/16.2M	50000 Hr (min.)
15 6"	1920x1080	16:9	600cd/m ²	89/89/89/89	262K/16 2M	50000 Hr (min)
17"	1280x1024	5:4	400cd/m ²	80/80/70/70	262K/16 7M	50000 Hr (min)
17.3"	1920x1080	16:9	400cd/m ²	80/80/60/80	262K/16 7M	50000 Hr (min)
19"	1280x1024	5:4	450cd/m ²	85/85/80/80	262K/16 7M	50000 Hr (min)
21.5"	1920x1080	16:9	400d/m ²	89/89/89/89	262K/16 7M	50000 Hr (min)
24"	1920x1080	16:9	350cd/m ²	89/89/89/89	262K/16 7M	50000 Hr (min)

