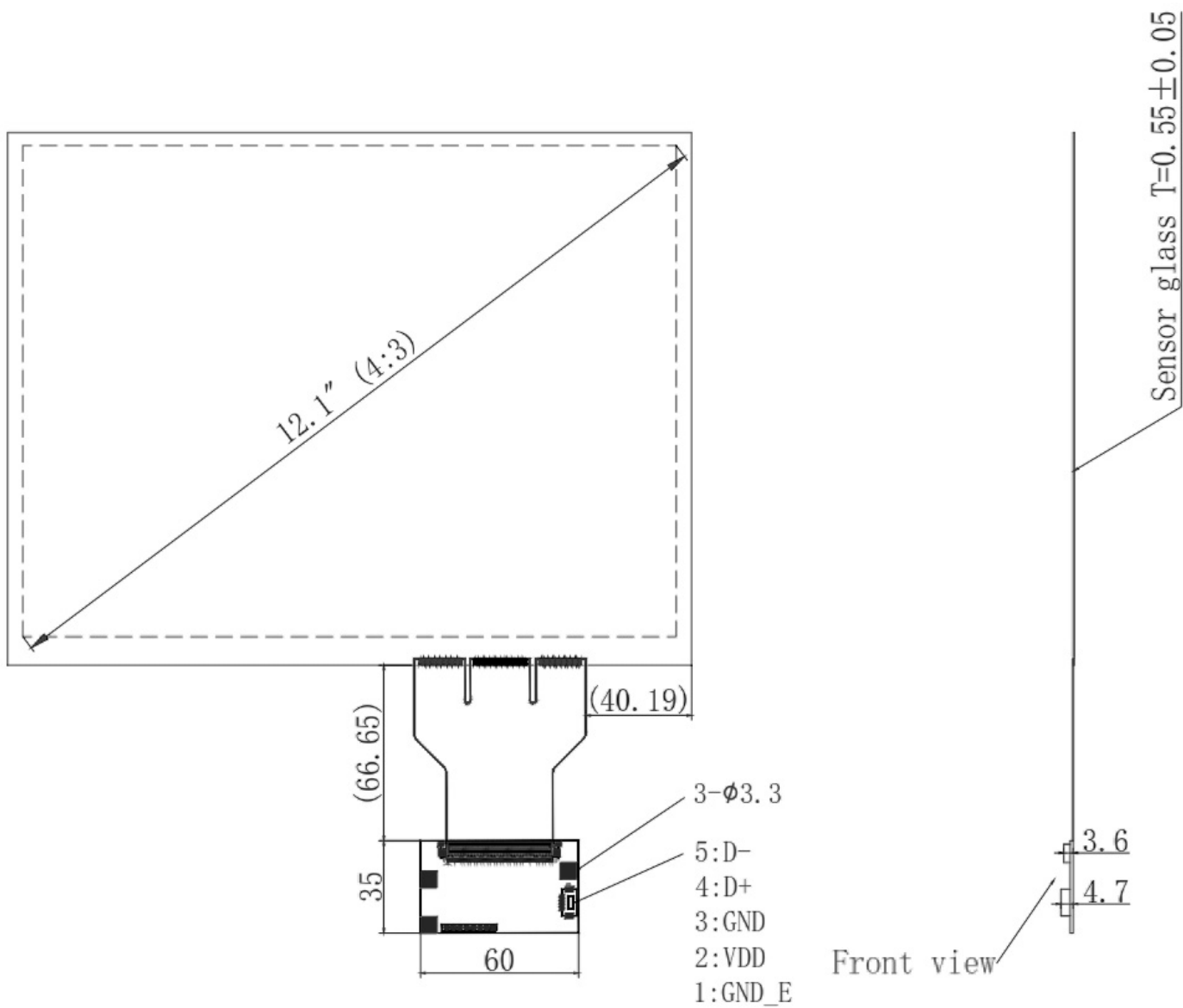
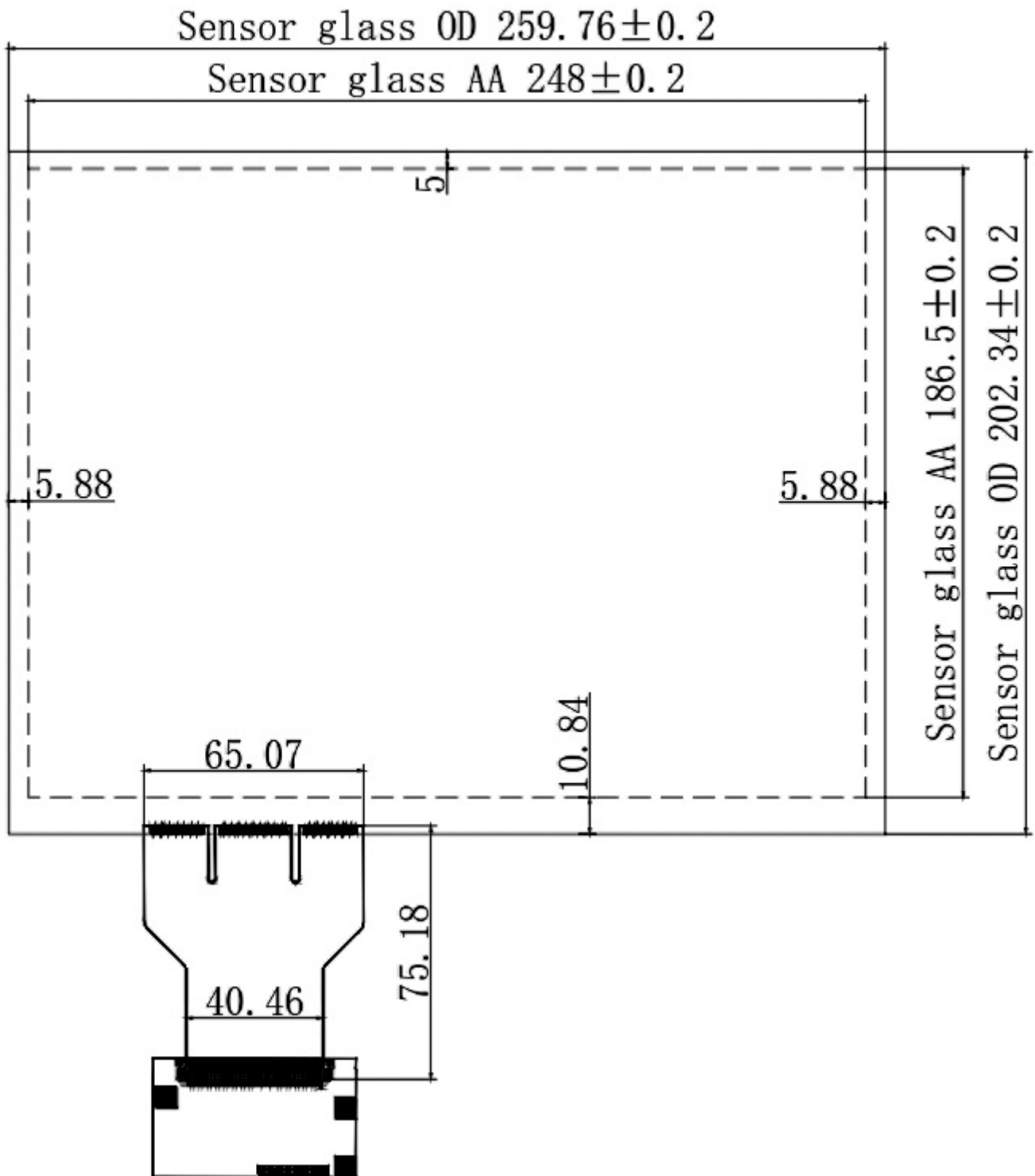


Touchsensor 12,1" Format 4:3 mit Controller





Hauptmerkmale

- Glas-Sensor, Dicke 0,55mm
- EETI Controller Industrie EXC80H60
- Anschluß USB / I²C
- Coverglas bis 12 mm
- Bedienung mit Handschuh, Stift, Handballenerkennung, Wassererkennung

Bedingungen

Bonding auf Glas, PMMA o.ä.

(Eine direkte Bedienung des Sensors ist nicht möglich. Ein Cover ist zwingend erforderlich.)

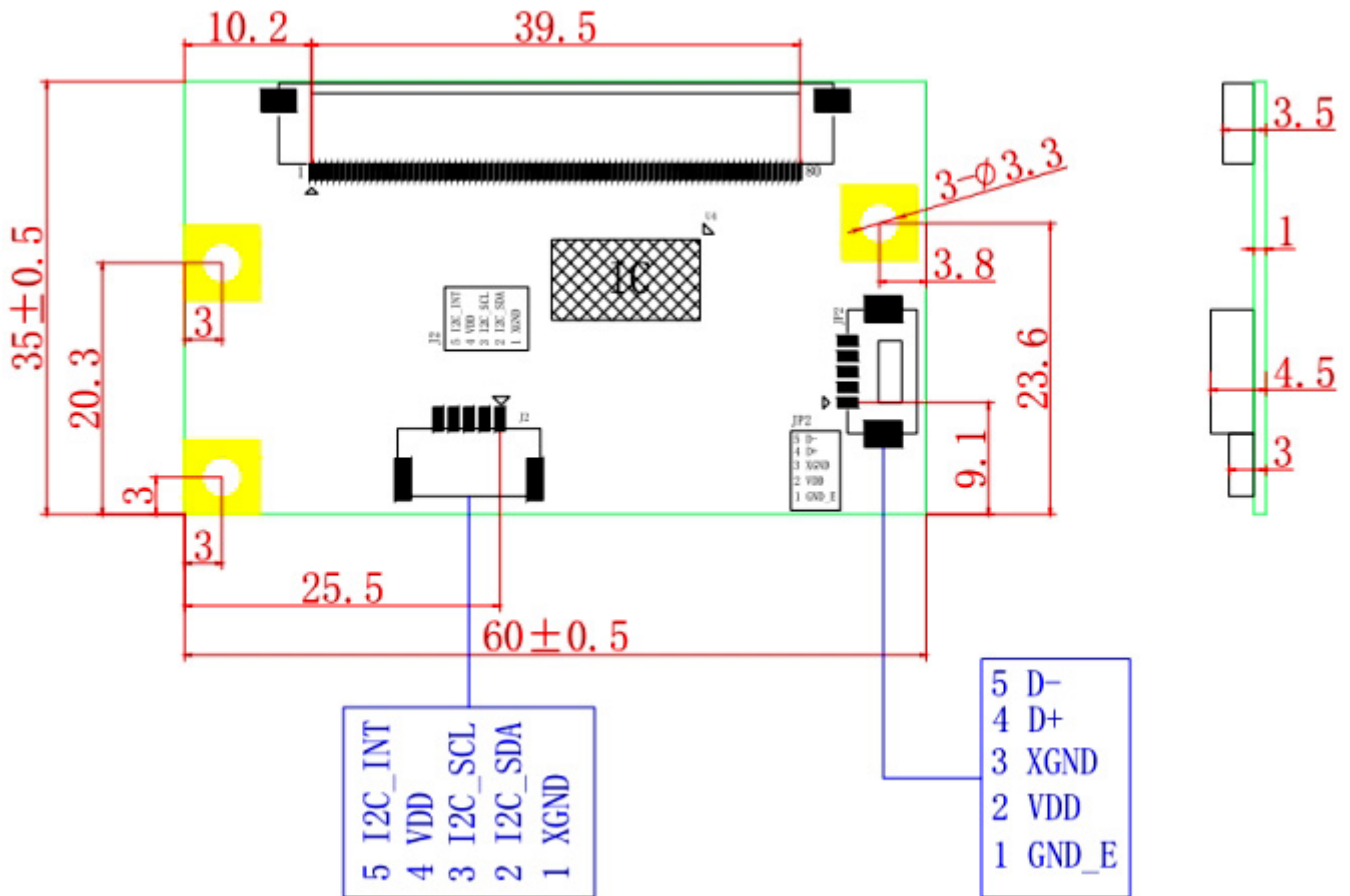
Spezifikation

Modell	AS-TS-12.1-4.3
Glasdicke	0,55 mm
Druck	DITO Pattern
Transmittance	> 85%
Interface	USB / I ² C
Touchpunkte	10
Controller	EETI EXC80H60
Coverglas	bis 12mm

Controller



ANDERS SYSTEMS



OS	Version	Interfaces
Windows	Windows 10 Windows 8(Need logo submission) Windows 7 Windows Vista, XP/2000 Windows CE.net/5.0/6.0/7.0 Windows Embedded Windows XP Tablet PC edition	USB/IIC
Linux	Distribution based on Kernel 2.6.24 and later. CentOS,Ubuntu/Linux,Debian,Fedora,Red Hat, Gentoo,Meego,Slackware,SUSE/openSUSE, Magaie/Mandriva/Mandrake and Yellow Dog etc. <i>Support most 32/64 bit Linux distribution versions, including Kernel 2.4.x / 2.6.x / 3.x.x / 4.x.x</i>	USB/IIC
	Android 2.3 ~ later	USB/IIC
Mac	Mac OS, Mac OS X (PowerPC, Intel CPU)	USB
QNX	RTOS V6.3 to V6.6	USB/IIC

ANDERS SYSTEMS

USB/ IIC Type Controller	
Circuit Board Dimension	35mm x 60mm
Channels of Panel	Max. Tx:34 Rx:44 channels (include shielding pin)
Input Voltage	3.5V~5.5V.Typical 5V.
Operating Temperature	-40 to 85 °C
Storage Temperature	-40 to 90 °C
Relative Humidity	95% at 60 °C, RH Non-condensing
Linearity(Note 1)	Line drawing accuracy : 1pt±1mm offset /10mm Touch (point) accuracy : 1pt±1mm Refer to Windows 8 Logo regulation
Interface	USB: 1.1 Full Speed
Resolution	4096x4096 resolution
Power consumption(mA)	Active Mode: < 100mA Idle Mode : < 50mA
Report rate(points/sec) (Note 2)	>100 Hz
Response time	Average < 25 ms

Bestellhinweise

Art.Nr.	Bezeichnung
AS-TS-12.1-4.3-xx	Touchsensor inkl. Controller xx=Glasstärke Cover
AS-TSC-12.1-4.3	Controller (Ersatz)